



GENERAL
FLOOR MAINTENANCE EQUIPMENT

KC SERIES 17, 19 & 21

HEAVY DUTY LOW SPEED
120 V 60 Hz



OWNERS MANUAL

OPERATION PARTS - WARRANTY - CARE
SAFETY - STORAGE - ACCESSORIES

IMPORTANT: READ OWNERS MANUAL CAREFULLY
Please fill out and return your Product & Warranty Registration Form

6312 NW 99th Ave. Doral, FL 33178
Teléfono: +1 (305)-477-1557
Fax +1 (305)-477-1558
Ventas Internacionales: Rubén Silva.
Contacto: rsilva@genfloor.com
www.genfloor.com



REVISED 9-9-15



CONGRATULATIONS on choosing General Floorcraft for your Floor Maintenance Equipment Line. Welcome to the family of General Floorcraft. We appreciate your business and will do everything in our power to keep you satisfied. As a family member of America's Oldest and Most Trusted Manufacturer of Floor Maintenance Equipment, you purchased the highest quality equipment with the best warranties in the industry. Simply put, THE BEST.

Thank you for your purchase.

The General Floorcraft Team

Please take a few minutes and complete the following:

Date Purchased: _____

Serial Number: _____

Distributor Name: _____

Address: _____

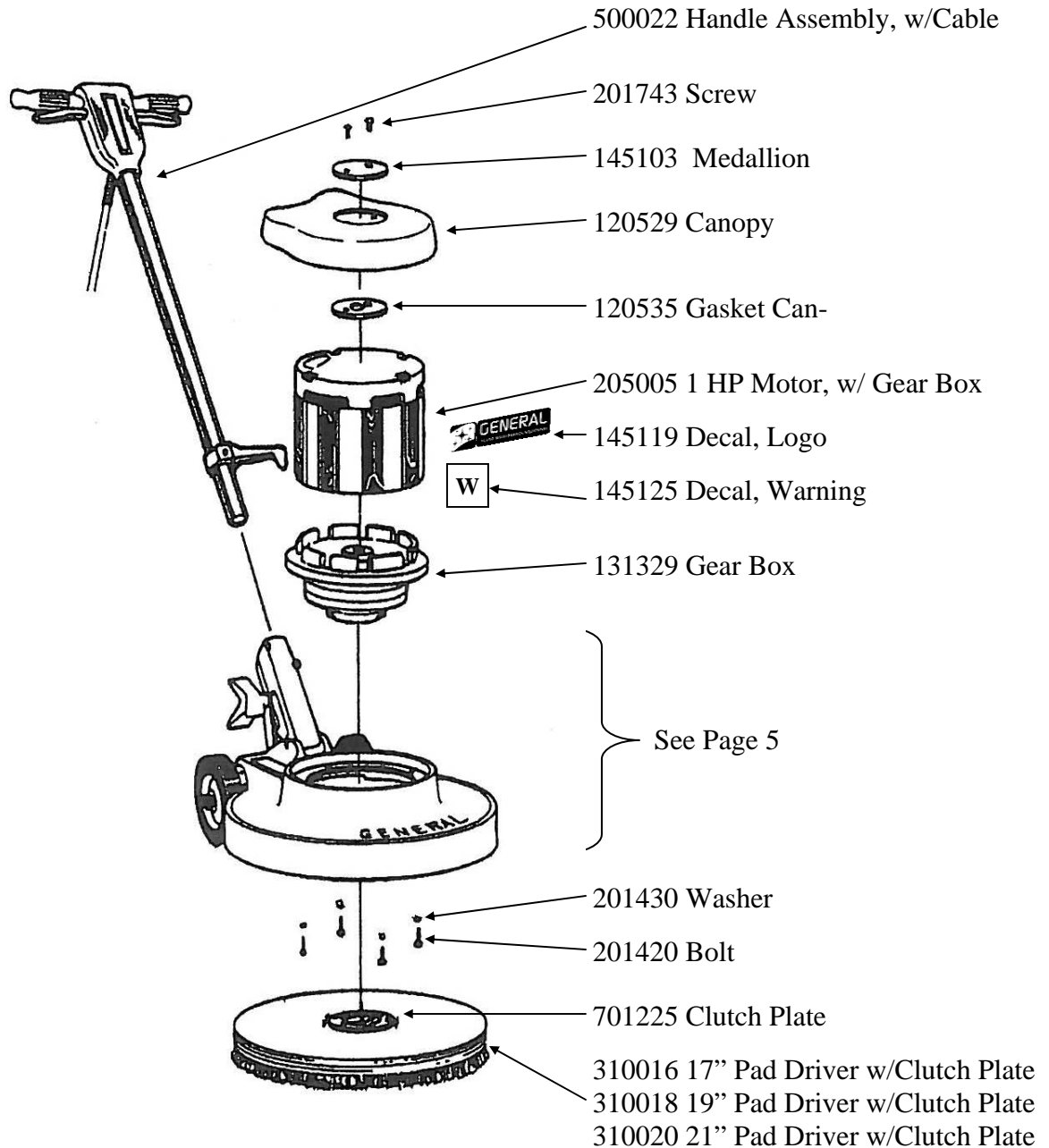
Phone Number: _____

TABLE OF CONTENTS

1.) Purchase Information	Page 2
2.) Serial Number	Page 2
3.) Machine Assembly	Page 3
4.) Handle Assembly	Page 4
5.) Lower Machine Assembly	Page 5
6.) Motor Assembly	Page 6
7.) Gearbox Assembly	Page 7
8.) Delivery & Safety Instructions	Page 8
9.) Safety Instructions	Page 9
10.) Safety & Grounding Instructions	Page 10
11.) Assembly & Operation Instructions	Page 11
12.) Maneuvering & Storage Instructions	Page 12
13.) Livraison Et Consignes De Securite	Page 13
14.) Consignes De Securite	Page 14
15.) Securite Et Instructions De Mise	Page 15
16.) Montage Et Mode D'Emploi	Page 16
17.) Manoeuvrer & Stockage Instructiona	age 17
18.) Warranty	Page 18
19.) Product Registration Form	Page 19

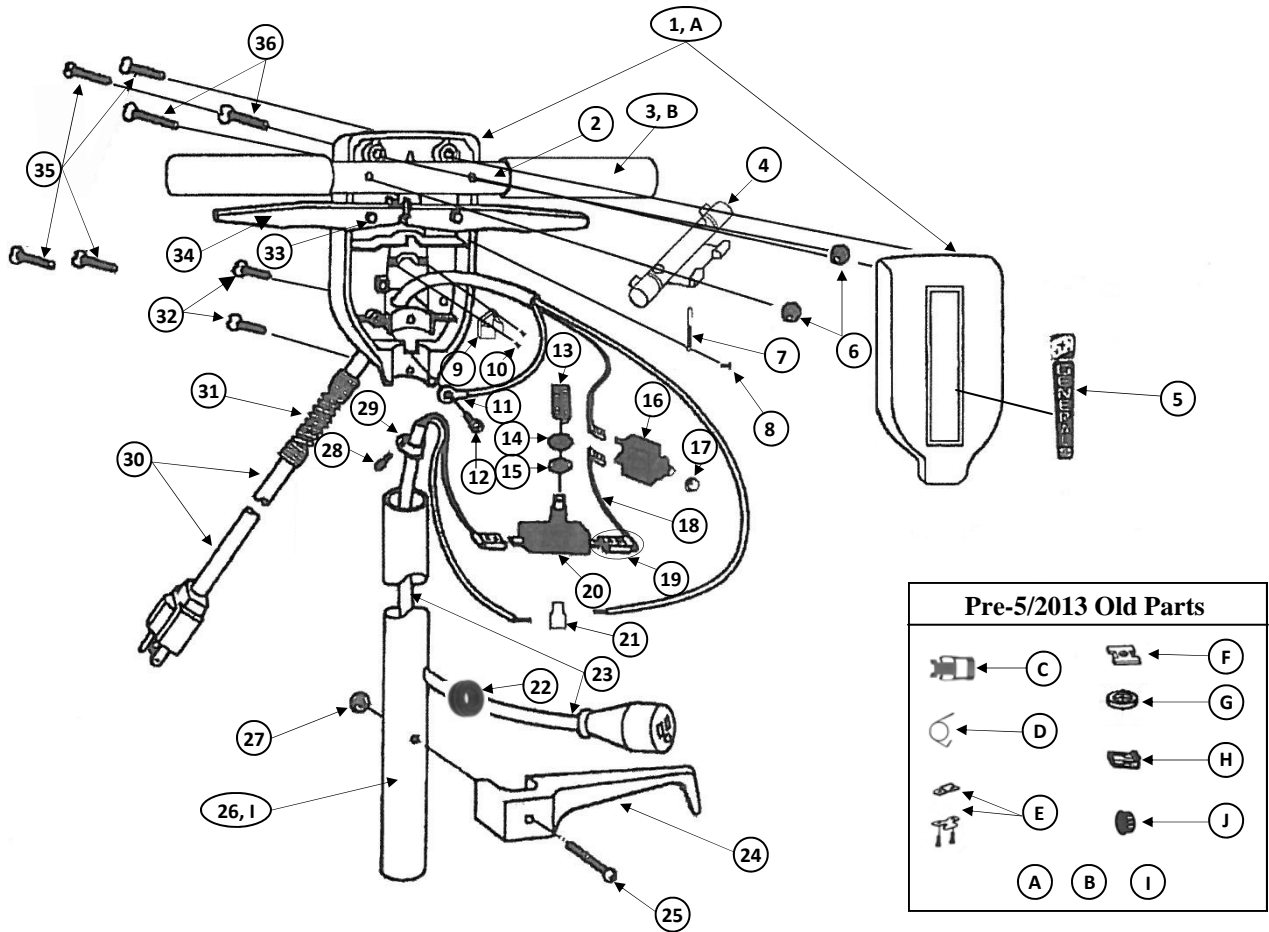
MACHINE ASSEMBLY

THIS KC-SERIES DRAWING AND PARTS LIST IS BROKEN DOWN IN SUB ASSEMBLIES FOR EASY REFERENCE. AT RIGHT ARE SHOWN ALL THE SUB ASSEMBLIES AND CERTAIN PARTS THAT ARE NOT SHOWN ON ANY OTHER DRAWINGS. WHEN ORDERING PARTS, ALWAYS USE PART NUMBERS—*DO NOT USE REFERENCE NUMBERS!* GIVE MODEL NUMBER, SERIAL NUMBER AND PART NUMBER WHEN ORDERING. THE SERIAL AND MODEL NUMBERS WILL BE FOUND STAMPED UNDERNEATHE THE APRON AROUND THE MOTOR.



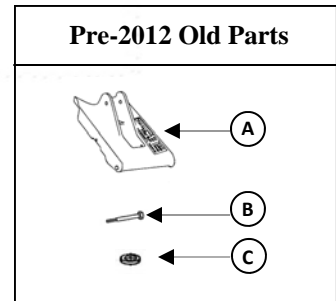
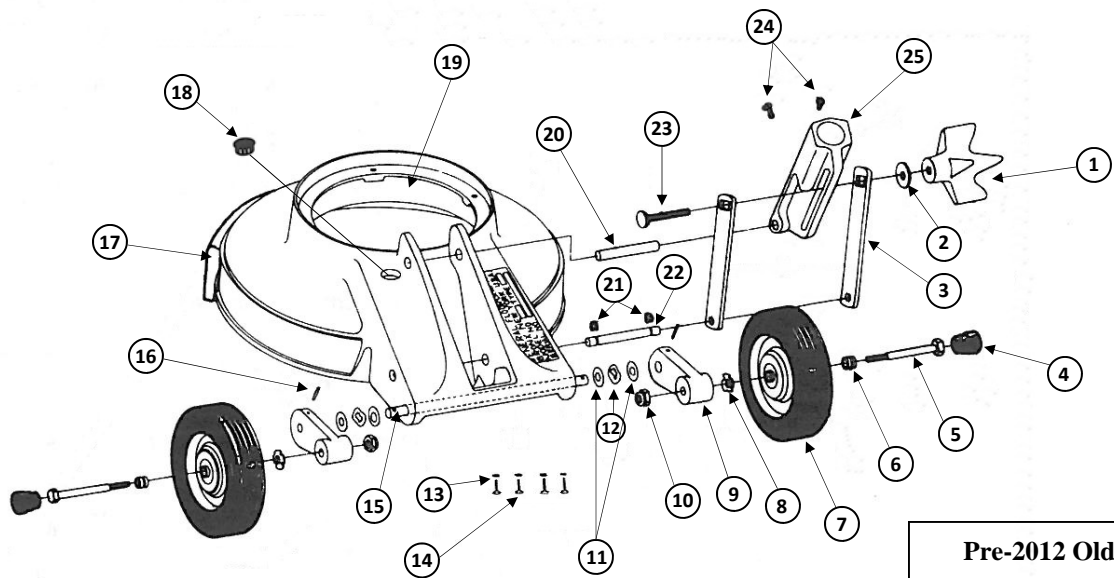
Note: Pad drivers and brushes sold separately.

HANDLE ASSEMBLY



Reference #	Part Number	Description	Required	Reference #	Part Number	Description	Required
1	501044	Switchbox, Front and Back Polished	1	25	114280	Screw, Cable Hook	1
2	501028	Handle Bar	1	26	501080	Handle Tube, Chrome, Safety Switch Box	1
3	505188	Grip, Handle Red	2	27	501054	Nut, Lock with Nylon Insert	1
4	505185	Lever, Safety Red	1	28	505804	Screw, Strain Relief	1
5	505128	Decal, Switchbox Nameplate	1	29	505146	Cable Clamp	1
6	501054	Nut, Lock with Nylon Insert	2	30	605033	Cable, Heavy Duty 50' Red	1
7	505182	Spring, Safety Switch	1	31	505110	Strain Relief, Cable Spring	1
8	201600	Screw, Spring	1	32	505412	Screw, Switchbox Handle Tube	2
9	505189	Strain Relief, Cable	1	33	501027	Pivot Pin, Lever	2
10	505190	Screw, Strain Relief Cable	2	34	501524	Lever, Switch Red	2
11	505166	Terminal, Ring Type Insulated	1	35	505118	Screw, Switchbox	4
12	201600	Screw, Ground	1	36	142800	Screw, Handle Bar	2
13	505162	Spring, Switch	1	A	500044	Switchbox, Front and Back Polished	1
14	505172	Nut, Switch brass	1	B	505004	Grip, Handle Red	2
15	505173	Washer, Switch	1	C	505174	Lever, Safety Metal	1
16	505201	Circuit Breaker	1	D	505175	Spring, Safety Switch	1
17	505204	Boot, Clear Circuit Breaker	1	E	505176	Clamp, Cable	1
18	505255	Wire, Harness Assembly Switchbox	1	F	505169	Bracket, Switch	1
19	505203	Terminal, Insulated Female Right Angle	2	G	505178	Washer, Switch Lower	1
20	505170	Switch	1	H	505161	Insulator, Cover for Terminal	2
21	505168	Crimp Connector, Insulated	1	I	501067	Handle Tube, Chromed	1
22	201227	Grommet, Rubber Handle Tube	1	J	505193	Plug, Switchbox	1
23	505160	Wire, Tube Assembly Black	1		500022	Handle Assembly, Complete w/Cable	Carton
24	501071	Cable Hook	1				

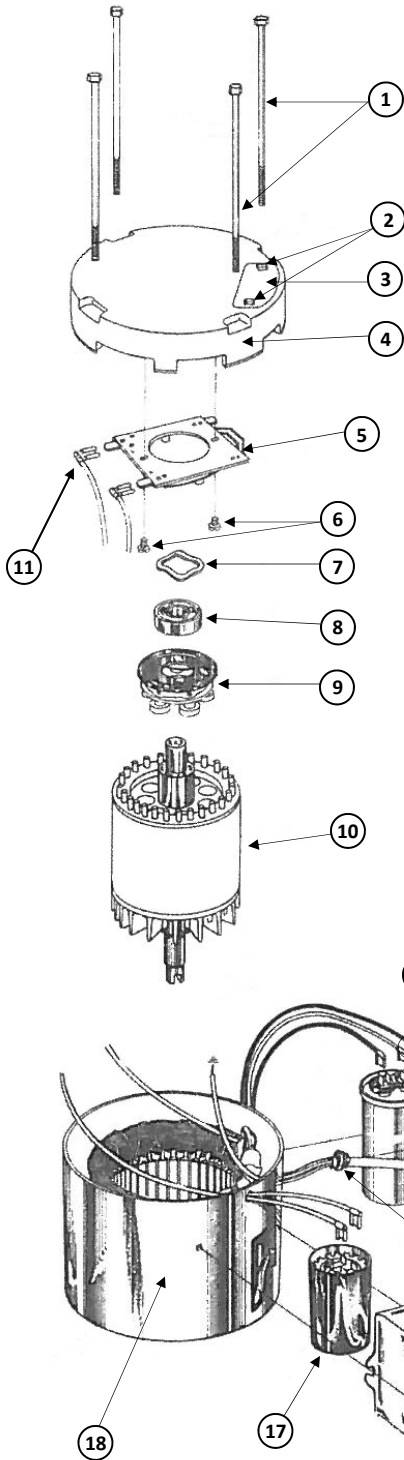
LOWER MACHINE ASSEMBLY



Reference #	Part Number	Description	Required	Reference #	Part Number	Description	Required
1	505127	Knob, Handle Adaptor Large	1	17	161504	Bumper, 17" White	1
2	505131	Washer, Handle Adaptor	1	17	181504	Bumper, 19" White	1
3	160532	Handle Adaptor Link	2	17	201504	Bumper, 21" White	1
4	125049	Tip, Rubber Wheel Axle	2	18	145050	Plug, Black Apron 5/16"	1
5	125700	Axle, Wheel	2	18	145004	Plug, Chrome Apron 7/8"	1
6	125047	Spacer, Wheel Axle	2	19	170500	Apron, 17" Polished One Piece	1
7	165516	Wheel, Non-Marking Red 6"	2	19	190509	Apron, 19" Polished One Piece	1
8	130509	Washer, Tension Wheel Axle	2	19	210506	Apron, 21" Polished One Piece	1
9	165517	Pivot Arm	2	20	160514	Pivot Pin, Handle Adaptor	1
10	125048	Nut, Wheel	2	21	160513	Snap Ring	2
11	135521	Washer, Nylon Pivot Shaft	4	22	160512	Pivot Pin, Handle Adaptor Link	1
12	135520	Washer, Tension Pivot Shaft	2	23	160533	Screw, Handle Knob Large	1
13	201430	Washer, Motor Mounting	4	24	101510	Screw, Set Handle Adaptor	2
14	201420	Bolt, Motor Mounting 17"	4	25	160530	Handle Adaptor, KC Series	1
14	201550	Bolt, Motor Mounting 19" & 21"	4	A	180510	Carriage, Polished	1
15	165518	Pivot Shaft, Wheel	1	B	201462	Bolt, Carriage	4
16	135517	Pin, Pivot Shaft	2	C	201415	Washer, Carriage Assembly	4

1 HP MOTOR ASSEMBLY

IMPERIAL ELECTRIC MOTOR ONLY



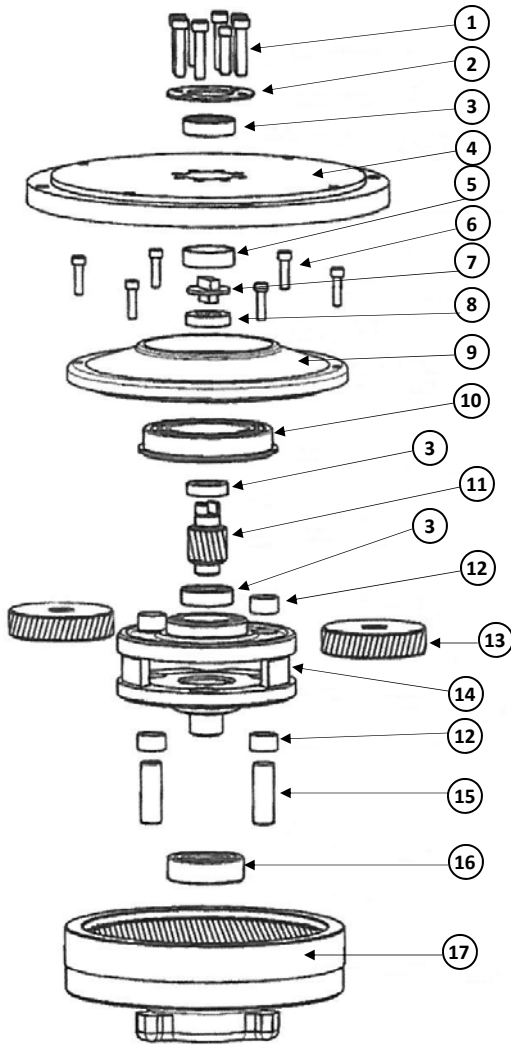
Reference #	Part Number	Description	Required
1	301347	Bolt, Thru	4
2	135406	Screw, Access Cover	2
3	135412	Cover, Wire Connection Access Cover	1
4	135488	Top End Bell	1
5	135496	Switch, Stationary	1
6	135406	Screw, Stationary Switch	2
7	135473	Washer, Tension	1
8	135114	Ball Bearing	1
9	135481	Switch, Centrifugal	1
10	135463	Rotor Assembly with Shaft	1
11	505203	Terminal, Insulated Female Right Angle	7
12	135479	Cover, Capacitor	2
13	135600	Screw, Capacitor Cover	4
14	135636	Motor Lead	1
15	135491	Capacitor, Run	1
16	135625	Strain Relief, Motor	1
17	135492	Capacitor, Start	1
18	135515	Frame and Field Assembly, Chrome	1
	205005	Motor, AC 1 HP with Gear Box	Box

INNOVATIVE CLEANING EQUIPMENT.....ENGINEERED TO LAST

GEARBOX ASSEMBLY

2 PLANET GEARBOX

IMPERIAL ELECTRIC MOTOR ONLY.



Reference #	Part Number	Description	Required
1	135459	Screw, Cap	6
2	135458	Retainer Plate	1
3	135452	Ball Bearing	3
4	135401	End Shield	1
5	135456	Spacer	1
6	135451	Screw, Housing Cover	6
7	135373	Coupling	1
8	135460	Retainer Shaft	1
9	135444	Gear Box Cover	1
10	135455	Ball Bearing with Span Ring	1
11	135485	Helical Pinion	1
12	135453	Needle Bearing	4
13	135448	Helical Gear	2
14	135486	Planet Cage, 2 Planet	1
15	135339	Idler Shaft	2
16	135454	Ball Bearing	1
17	135450	Gear Box Housing	1
	131329	Gear Box Assembly, 2 Planet Complete	Box

INNOVATIVE CLEANING EQUIPMENT.....ENGINEERED TO LAST

DELIVERY & SAFETY INSTRUCTIONS

WHEN THE MACHINE IS DELIVERED

You are responsible for inspecting the order upon receipt. General Floorcraft is not responsible for damage if you have signed for the goods and do not note any damages on the shipping receipt. Note any visible damage on delivery receipt immediately. Inspect shipment immediately to ensure that there is no concealed freight damage. If such damage is discovered, file a “Concealed Damage Report” immediately with the carrier. Inspect shipment immediately to ensure there are no shortages. Notify responsible party, carrier and General Floorcraft immediately. Be sure to keep the carton, packing inserts, lists and carrier’s receipt until the inspector has verified your claim.

BEFORE OPERATING THE MACHINE

Read the manual carefully and completely before attempting to operate the machine. Fill out the Product & Warranty Registration Form and fax or mail it to the address below. This manual has important information for the use and safe operation of the machine. Keep this manual handy at all times and in a safe place. By following this manual your machine will assure you many years of trouble free use. Always operate and maintain your machine according to the recommendations in this manual. All information and specifications printed in the manual and parts list are current at the time of printing; however, because of General Floorcraft’s policy of continual product development, we reserve the right to make changes at any time without notice. If any additional information is needed, please contact your local distributor or contact us at:

General Floorcraft
6312 NW 99th Avenue
Miami, FL 33178, USA
Phone: 305-477-1557 / Fax: 305-477-1558
Email: genfloor@genfloor.com

IMPORTANT SAFETY INSTRUCTIONS

This machine is only suitable for commercial use, for example malls, nursing homes, schools, hotels, casino's, hospitals, factories, shops and offices other than normal residential housekeeping purposes.

When using an electrical appliance, basic precautions should always be followed, including the following:

WARNING!

To reduce the risk of fire, electric shock, or injury:

- Do not leave the appliance when it is plugged in. Unplug the unit from the outlet when not in use and before servicing, and when changing the brushes or pads.
- To avoid electric shock, do not expose to rain. Store indoors.
- Do not bypass or disable the safety “lock-out lever”.

SAFETY INSTRUCTIONS

WARNING!

To reduce the risk of fire, electric shock, or injury:

- Do not allow to be used as a toy. Close attention is necessary when used near children.
- Do not handle plug or appliance with wet hands.
- Do not unplug by pulling on cord. To unplug, grasp the plug, not the cord.
- Do not use with damaged cord or plug. If appliance is not working as it should, has been dropped, damaged, left outdoors, or dropped into water, return it to a authorized service center.
- Do not pull or carry by cord, use cord as a handle, close a door on a cord, or pull cord around sharp edges or corners. Do not run appliance over cord. Keep cord away from heated surfaces.
- The machine was designed for the use as per instructions and recommendations written in this manual. Any deviation from its proper use or purpose and the consequential damage that may occur is the sole responsibility of the end user.
- Use only manufacturer's recommended attachments.
- Do not put any object into openings. Do not use with any opening blocked; keep free of dust, lint, hair, and anything that may reduce air flow.
- Keep hair, loose clothing, fingers, and all parts of body away from openings and moving parts.
- Do not operate machine in flammable or explosive areas.
- Turn off all controls before unplugging.
- When servicing machine, use only manufacturer's replacement parts. All service should be performed only by General Floorcraft authorized service centers.
- Do not immerse or use this machine in standing water. Such use can cause electric shock.
- Keep the electrical supply cord from contacting the rotating brush or drive block.
- When using an extension cord, use only a 3 conductor grounding cord, 12 gauge wire or heavier.
- Connect to a properly grounded outlet only. See "Grounding Instructions".
- Make sure the machine is plugged into an electrical outlet with the same voltage and frequency rating as shown on the nameplate of the machine. Do not attempt to plug a 115-volt machine into a 230-volt outlet.

SAFETY & GROUNDING INSTRUCTIONS

WARNING!

- DO NOT use extension cords more than 50 feet (15 m) long.
- Replace the cord if the ground pin is damaged or broken.

FAILURE TO COMPLY WITH THE ABOVE WARNING INSTRUCTIONS WILL VOID THE WARRANTY.

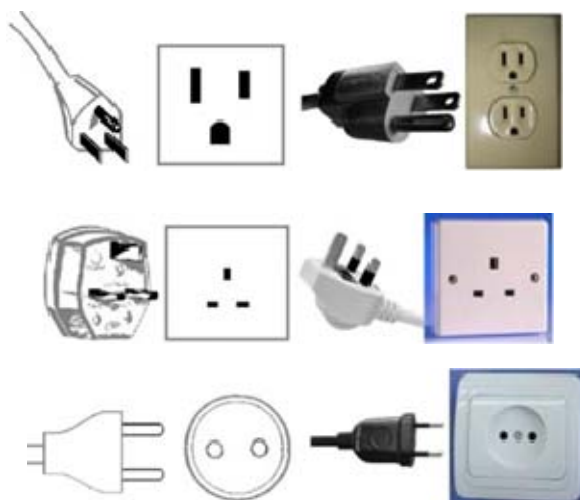
GROUNDING INSTRUCTIONS

This appliance must be grounded. If it should electrically malfunction, grounding provides a path of least resistance for electric current to reduce the risk of electric shock. This appliance is equipped with a cord having an equipment-grounding conductor and grounding plug. The plug must be plugged into an appropriate outlet that is properly installed and grounded with all local codes and ordinances.

DANGER!

Improper connection of the equipment-grounding conductor can result in a risk of electrical shock. Check with a qualified electrician or service person if you are in doubt as to whether the outlet is properly grounded. Do not modify the plug provided with this appliance. If it will not fit the outlet, have a proper outlet installed by a qualified electrician.

This appliance is for use on a nominal 120-volt circuit, and has a grounding plug that looks like the plug illustrated in Figure 1 below.



ASSEMBLY & OPERATION INSTRUCTIONS

PREPARE THE MACHINE FOR OPERATION (SETTING UP)

The KC machine is packed in two separate boxes. The machine is in box 1 of 2, and the handle is in carton 2 of 2. Unpack the machine and handle carefully. Insert the handle into the handle adaptor socket and tighten the two square head screws to hold the handle firmly in place. **DO NOT OVER TIGHTEN SCREWS.** Damage could incur to the handle adaptor threads and will cause the handle to be loose and unsafe. Connect the male motor lead from motor to the female handle lead from handle.

BRUSH, PAD DRIVER & PAD INSTALLATION:

WARNING: Make sure the power cord is disconnected from the electrical outlet before installing or removing the brush, pad driver or pads from machine.

- 1.) Unwrap the power cord from handle. Do not plug cord into wall outlet. Lock the handle in the upright position. Flip the wheels down and tilt the machine back on the wheels and handle so that the machine is resting on handle and the bottom of machine is up in the air.
- 2.) Align the lugs of the gear box with the corresponding slots in the brush or pad driver and turn the brush or pad driver counterclockwise to lock it in place. Install pad in center of pad driver and lower machine to floor.
- 3.) To remove brush or pad driver flip the wheels down and tilt machine back so that it rests on the wheels and handle. Turn the brush or pad driver clockwise until it disengages and lift off. Do not store the machine with the brush or pad driver installed.

HOW TO OPERATE MACHINE

- 1.) Unwrap the power cord. Do not plug in yet.
- 2.) Install the brush, pad driver with pad or attachment.
- 3.) Lower the handle to the desired operating position and retighten.
- 4.) Lift wheels off floor.
- 5.) Plug in cord into a properly grounded outlet.
- 6.) Place both hands on the handle grips with your fingers around the on/off levers which extends from one side to the other side underneath the hand grips.

WARNING!

Be prepared to control the machine as soon as the motor starts.

- 7.) Carefully push the Safety Lock Tabs located on either side of the switchbox and compress the on/off levers to start machine. Note: When the switch levers are released, the machine shuts off immediately.

MANEUVERING & STORAGE INSTRUCTIONS

HOW TO MANEUVER YOUR FLOOR MACHINE:

- 1.) Machine is designed to operate side to side. Raise handle slightly and the machine will go to the right. The higher you raise it, the faster it will go to the right.
- 2.) Lower the handle and the machine will go to the left. The more you lower it, the faster it will go to the left.
- 3.) Note: Always practice in a wide open area on a smooth surface until you gain a comfortable experience in operating the machine.

AFTER USE

- 1.) Unplug the power cord from wall outlet.
- 2.) Remove the brush or pad driver.
- 3.) Remove the pad from pad driver.
- 4.) Flip the wheels down and place handle in the upright position.
- 5.) Clean the power cord if needed and inspect it for cuts, gashes and loose prongs. Perform any required maintenance or repairs before storage.
- 6.) Wrap the power cord around the handle bar and cable hook.
- 7.) Wipe the entire machine with a clean, damp cloth. Wipe the underside of the apron housing after wet use.
- 8.) Store the machine in a clean, dry place.

TECHNICAL SPECIFICATIONS

	KC-17	KC-19	KC-21
Motor HP	1	1	1
Pad Diameter	17"	19"	21"
Speed RPM	175	175	175
dBA	62	62	62
Weight lbs.	98	107	114

LIVRAISON ET CONSIGNES DE SÉCURITÉ

LORSQUE LA MACHINE EST REMIS

Vous êtes responsable de l'inspection de la commande dès réception . General Floorcraft n'est pas responsable des dommages si vous avez signé pour les marchandises et de ne pas noter les dommages sur le bon de livraison . Notez tout dommage visible sur accusé de réception immédiatement . Inspecter l'expédition immédiatement pour s'assurer qu'il n'y a aucun dégât de fret clandestin . Si un tel dommage est découvert, déposer un «rapport de dommages cachés " immédiatement auprès du transporteur. Inspecter l'expédition immédiatement pour s'assurer qu'il n'ya pas de pénurie . Prévenez partie responsable, transporteur et le général Floorcraft immédiatement . Soyez sûr de garder le carton, calages, les listes et la date de réception du transporteur jusqu'à ce que l'inspecteur a vérifié votre demande.

AVANT D'UTILISER LA MACHINE

Lisez le manuel attentivement et complètement avant de tenter de faire fonctionner la machine . Remplissez le formulaire d'inscription du produit et de la garantie et fax ou par courrier à l'adresse ci-dessous. Ce manuel contient des informations importantes pour l'utilisation et l'exploitation sûre de la machine . Conservez ce manuel à portée de main en tout temps et en lieu sûr . En suivant ce manuel de votre machine vous assurera de nombreuses années d'utilisation sans problème. Toujours faire fonctionner et entretenir votre machine selon les recommandations de ce manuel . Toutes les informations et les spécifications imprimé dans le manuel et la liste des pièces sont à jour au moment de l'impression : cependant , en raison de la politique du général Floorcraft de développement continu des produits , nous nous réservons le droit de modifier à tout moment sans préavis. Si aucune information supplémentaire n'est nécessaire , s'il vous plaît contactez votre distributeur local ou contactez-nous au :

General Floorcraft
6312 NW 99th Avenue
Miami, FL 33178, USA
Téléphone: 305-477-1557 /Télécopieur: 305-477-1558
Email: genfloor@genfloor.com

CONSIGNES DE SÉCURITÉ IMPORTANTES

Cette machine est uniquement conçu pour un usage commercial , par exemple les centres commerciaux , maisons de retraite , écoles, hôtels , casinos , hôpitaux , usines, magasins et bureaux autres que des fins d'entretien ménager résidentiel normal .

Lorsque vous utilisez un appareil électrique, des précautions de base devraient toujours être respectées, y compris ce qui suit:

ATTENTION!

Pour réduire le risque d'incendie , de choc électrique ou de blessure:

Ne laissez pas l'appareil quand il est branché, débranchez l' appareil de la prise lorsqu'il n'est pas utilisé et avant l'entretien et lors du changement des brosses ou des tampons .

Pour éviter un choc électrique, ne pas exposer à la pluie . Entreposer à l'intérieur .

Ne pas contourner ou défaire la sécurité "levier lock-out ".

CONSIGNES DE SÉCURITÉ

ATTENTION!

Pour réduire le risque d'incendie , de choc électrique ou de blessure:

Ne pas permettre que soit utilisé comme un jouet. Une attention particulière est nécessaire lorsqu'il est utilisé par ou près des enfants .

Ne manipulez pas la fiche ou l'appareil avec les mains mouillées .

Ne pas débrancher en tirant sur le cordon . Pour débrancher, saisir la fiche et non le cordon.

Ne pas utiliser si le cordon ou la fiche est endommagé . Si l'appareil ne fonctionne pas comme il se doit , a été endommagé, laissé à l'extérieur ou s'il est tombé dans l'eau, le retourner à un centre de service agréé.

Ne pas tirer ou transporter par le cordon , utiliser le cordon comme une poignée, fermer une porte sur le cordon ou tirer le cordon autour des arêtes vives ou des coins. Ne pas faire rouler l'appareil sur le cordon. Garder le cordon loin des surfaces chauffées.

La machine a été conçue pour l'utilisation selon les instructions et les recommandations écrites dans ce manuel. Tout écart par rapport à sa bonne utilisation ou le but et les dommages indirects qui pourraient survenir est de la seule responsabilité de l'utilisateur final .

Utilisez uniquement les accessoires recommandés par le fabricant.

Ne placez pas d'objet dans les ouvertures. Ne pas utiliser avec des ouvertures sont bloquées ; garder exempt de poussière , les peluches , les cheveux et tout ce qui pourrait réduire le débit d'air .

Garder les cheveux , les vêtements amples , les doigts et toutes les parties du corps loin des ouvertures et des pièces mobiles.

Ne pas utiliser la machine dans des zones inflammables ou explosifs.

Éteindre toutes les commandes avant de débrancher.

Lors de l'entretien , utilisez le remplacement des pièces par le fabricant. Tout service doit être effectuée uniquement par des centres de service autorisés Floorcraft générales .

Redoubler de prudence lors du nettoyage des escaliers .

Ne pas plonger ou utiliser cet appareil dans l'eau stagnante . Une telle utilisation peut provoquer un choc électrique .

Gardez le cordon d' alimentation électrique de contacter la brosse rotative ou bloc d'entraînement .

Lorsque vous utilisez une rallonge , utilisez seulement un cordon de mise à la terre à 3 conducteurs , fils de calibre 12 ou plus lourd .

Connectez-vous à une prise correctement mise à la terre . Voir « Mise à la terre » .

Assurez-vous que l'appareil est branché sur une prise électrique avec la même tension et la fréquence , comme indiqué sur la plaque signalétique de la machine. Ne tentez pas de brancher une machine de 115 volts dans une prise de 230 volts .

SÉCURITÉ ET INSTRUCTIONS DE MISE

ATTENTION!

NE PAS utiliser de rallonges de plus de 50 pieds (15 m) de long.

Remplacez le cordon si la broche de terre est endommagé ou cassé.

NON-RESPECT DES CONSIGNES DE GARDE ci-dessus ANNULE LA GARANTIE.

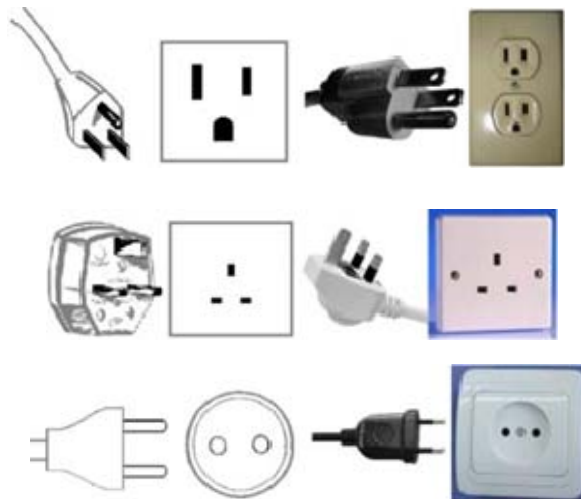
INSTRUCTIONS DE MISE

Cet appareil doit être mis à la terre. Si elle défaillance électrique, la terre fournit un chemin de moindre résistance pour le courant électrique afin de réduire le risque de choc électrique. Cet appareil est équipé d'un cordon muni d'un conducteur de terre avec prise de terre. La fiche doit être branchée dans une prise appropriée qui est bien installée et mise à la terre avec tous les codes et règlements locaux.

DANGER!

Une mauvaise connexion du conducteur de terre peut entraîner un risque de choc électrique. Consultez un électricien qualifié ou une personne de service si vous avez des doutes quant à savoir si la prise est correctement mise à la terre. Ne pas modifier la fiche fournie avec cet appareil. Si elle n'entre pas dans la prise, faites installer une prise adéquate par un électricien qualifié.

Cet appareil doit être utilisé sur un circuit nominal de 120 volts et a une fiche de terre qui ressemble à celle illustrée à la figure 1 ci-dessous.



MONTAGE ET MODE D'EMPLOI

PRÉPARATION DE LA MACHINE POUR LE FONCTIONNEMENT (mise en place)

Le KC machine est emballée dans deux boîtes séparées . La machine est en zone 1 de 2, et la poignée est en carton 2 sur 2 . Déballez la machine et manipuler avec précaution . Insérez la poignée dans la prise de l'adaptateur de la poignée et serrez les deux vis à tête carrée de tenir fermement la poignée en place. NE PAS trop serrer les vis . Dommages pourrait encourir aux filets de l'adaptateur de poignée et provoquer la poignée pour être lâche et dangereux. Raccorder le moteur principal masculin de moteur à la poignée premier rôle féminin de la poignée .

Pinceau, au tampon DRIVER & PAD INSTALLATION:

AVERTISSEMENT: Assurez-vous que le cordon d'alimentation est débranché de la prise électrique avant d'installer ou de retirer la brosse, pilote du pavé ou des tampons de machine.

- 1) Déroulez le cordon d'alimentation de la poignée. Ne pas brancher le cordon dans la prise murale . Verrouiller la poignée dans la position verticale . Retourner les roues vers le bas et incliner la machine en arrière sur les roues et la poignée de sorte que la machine est en appui sur la poignée et la partie inférieure de la machine se trouve en l'air .
2.) Aligner les pattes de la boîte de vitesses avec les emplacements correspondants du pinceau ou un tampon conducteur et tourner le pilote d' une brosse ou un tampon anti-horaire pour le verrouiller en place. Installez pad dans le centre de chauffeur de garniture et la machine inférieur à l'étage.
3.) Pour supprimer brosse ou de tampon tourner les roues vers le bas et incliner la machine en arrière afin qu'elle repose sur les roues et la poignée . Tourner le pilote de brosse ou un tampon dans le sens horaire jusqu'à ce qu'il se dégage et décoller . Ne rangez pas la machine avec la brosse ou le pad pilote installé.

COMMENT FAIRE FONCTIONNER LA MACHINE

- 1) Déroulez le cordon d'alimentation . Ne pas brancher encore .
2.) Installez la brosse , pilote de la tablette avec un tampon ou une pièce jointe .
3.) Abaissez la poignée à la position de travail souhaitée et resserrer.
4.) Soulever les roues hors sol.
5.) Branchez le cordon dans une prise correctement mise à la terre .
6.) Placez les deux mains sur les poignées avec vos doigts autour ON / OFF leviers qui s'étend d'un côté à l'autre côté sous les poignées .

ATTENTION!

Soyez prêt à contrôler la machine dès que le moteur démarre .

- 7). Poussez délicatement les pattes de verrouillage de sécurité situés de chaque côté de l'armoire et de compresser ON / OFF leviers pour démarrer la machine. Note: Lorsque les leviers de commutation sont libérés, la machine s'arrête immédiatement .

MANOEUVRER & STOCKAGE INSTRUCTIONS

COMMENT MANOEUVRER VOTRE MACHINE ETAGE:

- 1.) Soulever légèrement la poignée et la machine ira vers la droite. Lorsque vous élevez, plus vite il ira vers la droite.
- 2.) Abaissez la poignée et la machine ira vers la gauche. Le plus vous baissez, plus vite il ira vers la gauche.
- 3) Note:. Toujours pratique dans un large espace ouvert sur une surface lisse jusqu'à ce que vous gagnez une expérience confortable à utiliser la machine.

APRÈS UTILISATION

- 1). Débranchez le cordon d'alimentation de la prise murale.
- 2.) Retirez la brosse ou un tampon conducteur.
- 3.) Retirez le tampon de pilote de la tablette.
- 4.) Retournez les roues et placez la poignée en position verticale.
- 5.) Nettoyer le cordon d'alimentation si nécessaire et inspecter des coupures, des entailles et des griffes molles. Assurer l'entretien requis ou réparations avant le stockage.
- 6.) Envelopper le cordon d'alimentation autour de la barre de poignée et le crochet de câble.
- 7.) Essuyez l'ensemble de la machine avec un chiffon propre et humide. Essuyer la face inférieure du boîtier de tablier après utilisation humide.
- 8.) Entreposer la machine dans un endroit propre et sec.

FICHE TECHNIQUE

	KC-17	KC-19	KC-21
Moteur HP	1	1	1
Diamètre du Pad	17"	19"	21"
Tours par Minute	175	175	175
dBA	62	62	62
Poids KG	44.45	46.26	51.70



GENERAL FLOORCRAFT LIMITED WARRANTY

General Floorcraft warrants new machines against defects in material and workmanship for the periods as indicated, when operated and maintained as instructed in the Operator's Manual.

1. Replacement motors and other service parts for out of warranty machines are warranted for ninety (90) days.
2. KC, KCD, and MBL17 series floor machines carry FIVE (5) year motor and gearbox warranty.
3. GFX series floor machines carry a ONE (1) year motor and gearbox warranty.
4. GVS and DC series floor machines carry TWO (2) year motor gearbox warranty.
5. G-60, G-60 Aqua, G-100, G-200 Wet/Dry Vacuums carry ONE (1) year warranty.
6. AM-900 Air Mover carries ONE (1) year warranty.

All other components, except as noted, carry a ONE (1) year warranty. Parts and labor are covered in accordance with our flat rate schedule. Warranty claim form must be filled out and returned to General for labor or parts claim.

The obligation under this warranty is limited to the original purchaser and to the replacement or repair of said product (Warranty Form must be properly filled out and sent in within 10 days of receipt of equipment). This replacement or repair shall only be performed by General Floorcraft recommended distributor. All machines and/or parts must be returned prepaid to the factory for inspection to obtain this warranty. All shipping charges for replacement parts or repaired machines will be the responsibility of the product owner.

The General Floorcraft factory reserves the right for final determination of warranty coverage.

The warranty starts with the invoice date to the original purchaser, if no invoice can be provided then General Floorcraft uses the date of the serial number.

This warranty will not apply under the following circumstances: 1. Damage incurred DURING SHIPMENT; 2. Improper use of the product; 3. Use of the product for other than it's intended purpose; 4. Replacement of ordinary wear items such as bumpers, belts, carbon brushes, commentators, filter bags, hoses, wheels, gaskets, seals, cords, circuit breakers, switches, couplings, switch levers, plugs, bent handles, speed controls, relays, rectifiers, vacuum bags, handle lock assemblies, latches, squeegees, dust brushes, hose cuffs; 5. Repair or replacement performed by an organization other than General Floorcraft recommended distributor; 6. Failure to notify General Floorcraft factory prior to commencing repairs.

Except as herein set forth, General Floorcraft shall not under any circumstances, be responsible for any direct, indirect, incidental or consequential damages including, but not limited to, damage to the equipment, travel time, or rental of replacement equipment.

If a problem with General Floorcraft equipment develops during the warranty period, first contact directly, or write to:

General Floorcraft
6312 NW 99TH Ave.. Miami, FL 33178, USA
TEL: 305-477-1557. FAX: 305-477-1558.
Email: genfloor@genfloor.com



Product & Warranty Registration Form

Thank you for registering your General Floorcraft Equipment. As a registered user, you will receive free technical support, special offers and new product information. By returning this form, we can also confirm the date of purchase of your equipment for your warranty from the date of purchase. Please attach a copy of your invoice with the serial number(s) on it as proof of purchase. This confirmation is of benefit to you, especially if your original proof of purchase is lost. We will keep this information on file, and your purchase can be verified in the event your product is stolen or damaged for insurance purposes.

(Please fill out completely)

Product: Equipment Type: _____
Serial Number: _____ Date of Purchase: _____

Customer

Name: _____ Title: _____
Company Name: _____
Address: _____
City: _____ State: _____ Zip: _____
Phone: (_____) _____ Fax: (_____) _____
E-Mail: _____

Distributor

Name: _____ Title: _____
Company Name: _____
Address: _____
City: _____ State: _____ Zip: _____
Phone: (_____) _____ Fax: (_____) _____
E-Mail: _____

Please return to GenFloor within 10 days of receipt of equipment to ensure proper warranty.

RETURN THIS FORM WITH COPY OF INVOICE TO:

Fax to: (305) 477-1558 or Mail to: GenFloor, LLC., 6312 NW 99th Ave., Miami, FL 33178, USA

Cut here

