



General Floorcraft
6312 NW 99th Ave,
Doral, FL 33178, U.S.A.
PH (305) 477-1557 / FX (305) 477-1558
www.genfloor.com

2000 DC-4 SERIES

ULTRA HIGH SPEED BURNISHER

220 V/50Hz



OWNERS MANUAL
OPERATION PARTS WARRANTY CARE
SAFETY STORAGE ACCESSORIES

IMPORTANT: READ OWNERS MANUAL CAREFULLY
Please fill out and return your Product & Warranty Registration Form!



REVISED
7-21-15

CONGRATULATIONS on choosing General Floorcraft for your Floor Maintenance Equipment Line. Welcome to the family of General Floorcraft. We appreciate your business and will do everything in our power to keep you satisfied. As a family member of America's Oldest and Most Trusted Manufacturer of Floor Maintenance Equipment, you purchased the highest quality equipment with the best warranties in the industry. Simply put, **THE BEST.**

Thank you for your purchase.

Please take a few minutes and complete the following:

Date Purchased: _____

Serial Number: _____

Distributor Name: _____

Address: _____

Phone Number: _____

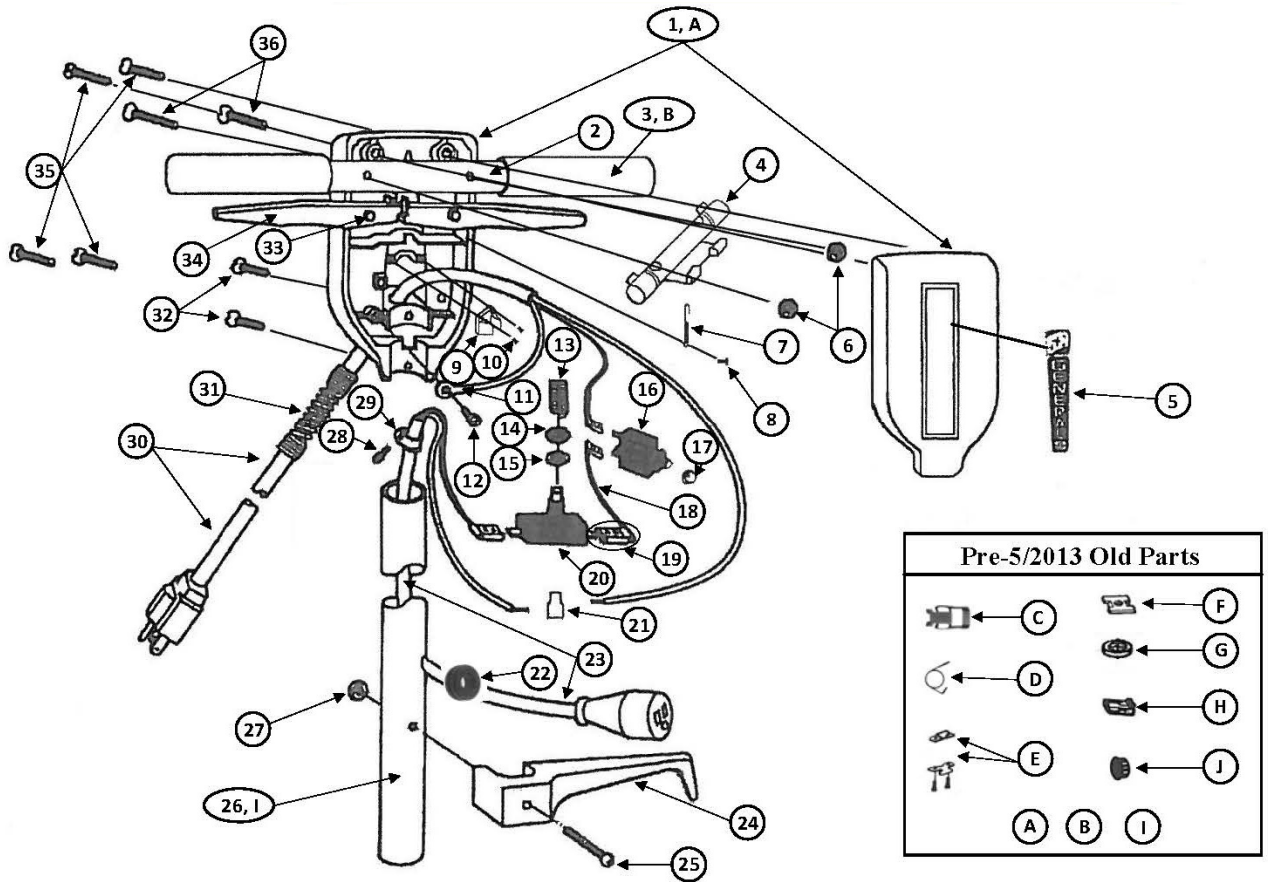
TABLE OF CONTENTS

1.) Purchase Information & Serial Number	Page 2
2.) Machine Assembly	Page 3
3.) Handle Assembly	Page 4
4.) Lower Machine Assembly	Page 5
5.) Motor Assembly	Page 6
6.) Safety Instructions	Page 7
7.) Delivery, operation & use	Page 8
8.) Warnings	Page 9
9.) Grounding instructions	Pag 10
10.) Assembly & Operation	Pag 11
11.) Maneuvering & Storage Instructions	Page 12
14.) Livraison Et Consignes De Securite	Page 13
15.) Consignes De Securite	Page 14
16.) Securite Et Instructions De Mise	Page 15
17.) Montage Et Mode D'Emploi	Page 16
18.) Manoeuvrer & Stockage Instructiona	Page 17
19.) Warranty	Page 18
19.) Product Registration Form	Page 19

MACHINE ASSEMBLY

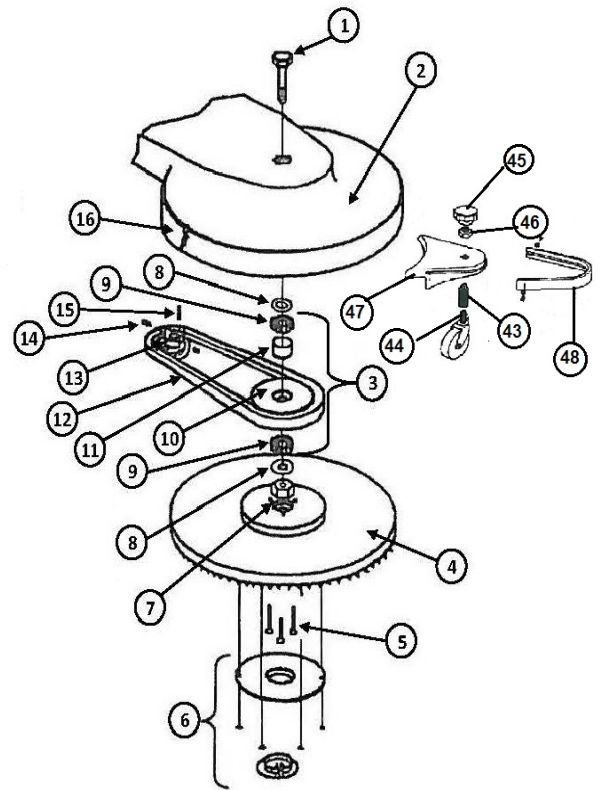
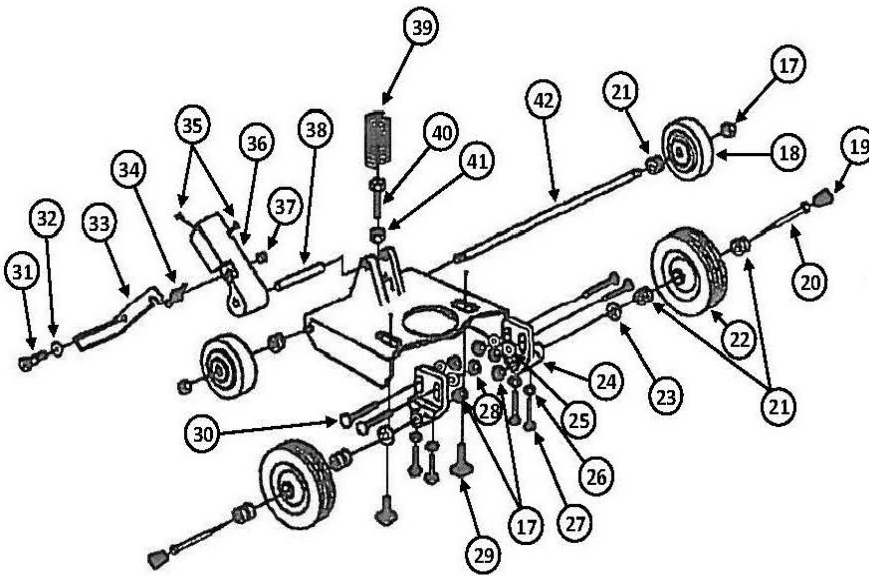
WHEN ORDERING PARTS, ALWAYS USE PART NUMBERS—*DO NOT USE REFERENCE NUMBERS!* GIVE MODEL NUMBER, SERIAL NUMBER AND PART NUMBER WHEN ORDERING. THE SERIAL NUMBER AND MODEL NUMBER WILL BE FOUND ON THE TOP OF THE APRON BY THE RIGHT WHEEL.

HANDLE ASSEMBLY - 500022 220 V



Reference #	Part Number	Description	Required	Reference #	Part Number	Description	Required
1	501044	Switchbox, Front and Back Polished	1	25	114280	Screw, Cable Hook	1
2	501028	Handle Bar	1	26	501080	Handle Tube, Chrome, Safety Switch Box	1
3	505188	Grip, Handle Red	2	27	501054	Nut, Lock with Nylon Insert	1
4	505185	Lever, Safety Red	1	28	505804	Screw, Strain Relief	1
5	505128	Decal, Switchbox Nameplate	1	29	505146	Strain Relief	1
6	501054	Nut, Lock with Nylon Insert	2	30	605033	Cable, Heavy Duty 50' Red	1
7	505182	Spring, Safety Switch	1	31	505110	Strain Relief, Cable Spring	1
8	201600	Screw, Spring	1	32	505412	Screw, Switchbox Handle Tube	2
9	505189	Strain Relief, Cable	1	33	501027	Pivot Pin, Lever	2
10	505190	Screw, Strain Relief Cable	2	34	501524	Lever, Switch Red	2
11	505166	Terminal, Ring Type Insulated	1	35	505118	Screw, Switchbox	4
12	201600	Screw, Ground	1	36	142800	Screw, Handle Bar	2
13	505162	Spring, Switch	1	A	500044	Switchbox, Front and Back Polished	1
14	505172	Nut, Switch brass	1	B	505004	Grip, Handle Red	2
15	505173	Washer, Switch	1	C	505174	Lever, Safety Metal	1
16	505201	Circuit Breaker	1	D	505175	Spring, Safety Switch	1
17	505204	Boot, Clear Circuit Breaker	1	E	505176	Clamp, Cable	1
18	505550	Wire, Harness Assembly Switchbox	1	F	505169	Bracket, Switch	1
19	505203	Terminal, Insulated Female Right Angle	4	G	505178	Washer, Switch Lower	1
20	505170	Switch	1	H	505161	Insulator, Cover for Terminal	2
21	505168	Crimp Connector, Insulated	1	I	501067	Handle Tube, Chromed	1
22	201227	Grommet, Rubber Handle Tube	1	J	505193	Plug, Switchbox	1
23	505160	Wire, Tube Assembly Black	1		500022	Handle Assembly, Complete w/Cable	Carton
24	501071	Cable Hook	1				

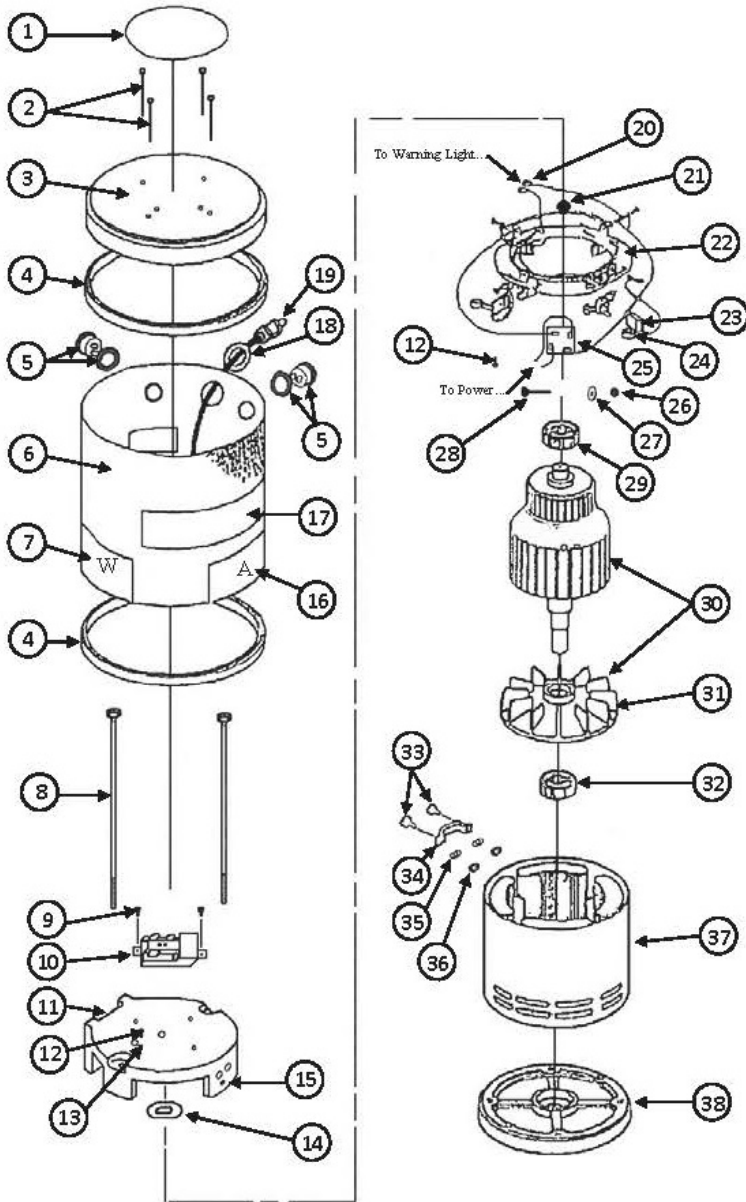
LOWER MACHINE ASSEMBLY



Reference #	Part Number	Description	Required	Reference #	Part Number	Description	Required
1	201208	Spindle	1	25	505030	Washer, Wheel Bracket Mounting	4
2	200508	Apron, polished	1	26	610104	Nut, Wheel Bracket	4
3	201231	Pulley assembly, complete	1	27	610280	Bolt, Wheel Bracket Adjustment	4
4	201180	Driver Pad assembly w/pad holder	1	28	501054	Nut, Lock with Nylon insert	4
5	201185	Bolt, Pad Driver Mounting	3	29	201612	Bolt, Motor mounting	2
6	701170	Pad Holder Assembly, plastic black screws	1	30	165524	Bolt, Wheel Bracket	4
7	201232	Nut, spinde	1	31	130508	Screw, Lever Pivot	1
8	201209	Washer, Spindle	2	32	135502	Washer	1
9	201217	Bearing, Spindle	2	33	201201	Latch Lever	1
10	201234	Pulley, Pad driver	1	34	201202	Spring, Latch Lever	1
11	201210	Spacer, Spindle	1	35	101510	Screw, Set Handle Adaptor	2
12	201242	Belt	1	36	201200	Handle Adaptor	1
13	201241	Pulley, motor	1	37	165134	Nut, Latch Lever	1
14	615040	Screw, set pulley	2	38	160514	Pivot Pin, Handle Adaptor	1
15	401474	Shaft key	1	39	505202	Spring, Handle adjustment	1
16	201504	Bumper, 20" white	1	40	505230	Screw, Handle Adjustment	1
17	125048	Nut, Wheel	4	41	505256	Nut, Handle adjustment	1
18	125010	Wheel, 3" Solid	2	42	201230	Axle, Rear	1
19	125049	Tip, Rubber Wheel Axle	2	43	201312	Carrier, Outrigger 2000 DC-4 Polished	1
20	416640	Axle, Front	2	44	201311	Caster, Outrigger 2000 DC-4	1
21	125047	Spacer, Wheel Axle	6	45	201310	Knob, Outrigger 2000 DC-4	1
22	165516	Wheel, Non Marking Red Hub 6"	2	46	201313	Nut, Jam Outrigger 2000 DC-4	1
23	130509	Washer, Tension Wheel Axle	2	47	201308	Outrigger, Polished 2000 DC-4	1
24	201224	Bracket, Wheel	2	48	201309	Bumper, Outrigger 2000 DC-4 White	1

1 1/2 HP MOTOR ASSEMBLY

IMPERIAL ELECTRIC MOTOR ONLY



Reference	Part Number	Description	Required
1	201207	Decal, Canopyblack plastic	1
2	211710	Screw, canopy Plastic	4
3	211204	Canopy, Motor black round	1
4	400685	Gasket,motor cover	2
5	201265	Light, w/speed nut	2
6	201306	Motor cover, perforated	1
7	145125	Decal, warning	1
8	301244	Bolt, thru	2
9	201600	Screw, relay	2
10	201354	Relay	1
11	401245	Commutor bracket	1
12	401434	Screw, brush board /ground /clamp	6
13	401423	Strain relief	1
14	401246	Washer, helical	1
15	401400	Strain, relief	1
16	501076	Decal, adjustment instructions	1
17	145119	Decal, Motor fornt general	1
18	201303	Grommet, rubber motor screen	1
19	201247	Motor lead	1
20	201215	Terminal, Insulated female	11
21	405200	Varistor assembly	1
22	401269	Brush, Board assembly	1
23	401251	Motor brush	4
24	401250	Spring, Motor brush	4
25	201328	Rectifier**	1
26	401463	Nut, Hex rectifier mounting	1
27	401456	Washer, rectifier mounting	1
28	401444	Screw, rectifier mounting	1
29	401485	Bearing, upper	1
30	401254	Armature assembly	1
31	401257	Fan	1
32	401255	Bearing, lower	1
33	201550	Bolt, bracket	2
34	201203	Bracket, latch lever	1
35	201430	Washer, locking	2
36	501054	Nut, lock with nylon insert	2
37	401253	Field assemblyw/magnets	1
38	401256	Lower end bell	1
39	202014	Motor DC4 /1.5 HP	1

**When replacing Rectifier(ref#25), heat sink compound must be spread between Rectifier and Commutator Bracket

INNOVATIVE CLEANING EQUIPMENT.....ENGINEERED TO LAST

SAFETY INSTRUCTIONS

DELIVERY , OPERATION & USE

WARNINGS

GROUNDING INSTRUCTIONS

ASSEMBLY & OPERATION

MANEUVERING & STORAGE

DELIVERY & SAFETY INSTRUCTIONS

WHEN THE MACHINE IS DELIVERED

You are responsible for inspecting the order upon receipt. General Floorcraft is not responsible for damage if you have signed for the goods and do not note any damages on the shipping receipt. Note any visible damage on delivery receipt immediately. Inspect shipment immediately to ensure that there is no concealed freight damage. If such damage is discovered, file a "Concealed Damage Report" immediately with the carrier. Inspect shipment immediately to ensure there are no shortages. Notify responsible party, carrier and General Floorcraft immediately. Be sure to keep the carton, packing inserts, lists and carrier's receipt until the inspector has verified your claim.

BEFORE OPERATING THE MACHINE

Read the manual carefully and completely before attempting to operate the machine. Fill out the Product & Warranty Registration Form and fax or mail it to the address below. This manual has important information for the use and safe operation of the machine. Keep this manual handy at all times and in a safe place. By following this manual your machine will assure you many years of trouble free use. Always operate and maintain your machine according to the recommendations in this manual. All information and specifications printed in the manual and parts list are current at the time of printing; however, because of General Floorcraft's policy of continual product development, we reserve the right to make changes at any time without notice. If any additional information is needed, please contact your local distributor or contact us at:

General Floorcraft
6312 NW 99th Avenue
Doral, FL 33178, U.S.A.
Phone: 305-477-1557 / Fax: 305-477-1557

IMPORTANT SAFETY INSTRUCTIONS

This machine is only suitable for commercial use, for example malls, nursing homes, schools, hotels, casino's, hospitals, factories, shops and offices other than normal residential housekeeping purposes.

When using an electrical appliance, basic precautions should always be followed, including the following:

WARNING!

To reduce the risk of fire, electric shock, or injury:

- Do not leave the appliance when it is plugged in. Unplug the unit from the outlet when not in use and before servicing, and when changing the pads.
- To avoid electric shock, do not expose to rain. Store indoors.
- Do not bypass or disable the safety "lock-out lever".

SAFETY INSTRUCTIONS

WARNING!

To reduce the risk of fire, electric shock, or injury:

- **Do not allow to be used as a toy. Close attention is necessary when used by or near children.**
- **Do not handle plug or appliance with wet hands.**
- **Do not unplug by pulling on cord. To unplug, grasp the plug, not the cord.**
- **Do not use with damaged cord or plug. If appliance is not working as it should, has been dropped, damaged, left outdoors, or dropped into water, return it to a authorized service center.**
- **Do not pull or carry by cord, use cord as a handle, close a door on a cord, or pull cord around sharp edges or corners. Do not run appliance over cord. Keep cord away from heated surfaces.**
- **The machine was designed for the use as per instructions and recommendations written in this manual. Any deviation from its proper use or purpose and the consequential damage that may occur is the sole responsibility of the end user.**
- **Use only manufacturer's recommended attachments.**
- **Do not put any object into openings. Do not use with any opening blocked; keep free of dust, lint, hair, and anything that may reduce air flow.**
- **Keep hair, loose clothing, fingers, and all parts of body away from openings and moving parts.**
- **Do not operate machine in flammable or explosive areas.**
- **Turn off all controls before unplugging.**
- **When servicing machine, use only manufacturer's replacement parts. All service should be performed only by General Floorcraft authorized service centers.**
- **Use extra care when cleaning stairs.**
- **Do not immerse or use this machine in standing water. Such use can cause electric shock.**
- **Keep the electrical supply cord from contacting the rotating brush or drive block.**
- **When using an extension cord, use only a 3 conductor grounding cord, 12 gauge wire or heavier.**
- **Connect to a properly grounded outlet only. See "Grounding Instructions".**
- **Make sure the machine is plugged into an electrical outlet with the same voltage and frequency rating as shown on the nameplate of the machine. Do not attempt to plug a 115-volt machine into a 230-volt outlet.**

SAFETY & GROUNDING INSTRUCTIONS

WARNING!

- DO NOT use extension cords more than 50 feet (15 m) long.
- Replace the cord if the ground pin is damaged or broken.

FAILURE TO COMPLY WITH THE ABOVE WARNING INSTRUCTIONS WILL VOID THE WARRANTY.

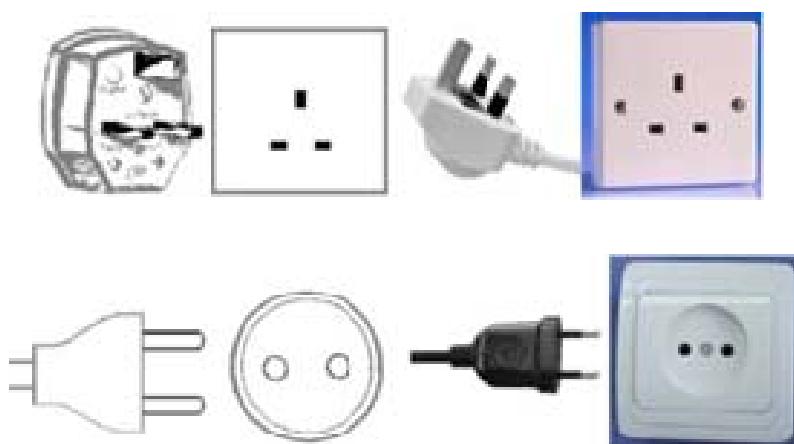
GROUNDING INSTRUCTIONS

This appliance must be grounded. If it should electrically malfunction, grounding provides a path of least resistance for electric current to reduce the risk of electric shock. This appliance is equipped with a cord having an equipment-grounding conductor and grounding plug. The plug must be plugged into an appropriate outlet that is properly installed and grounded with all local codes and ordinances.

DANGER!

Improper connection of the equipment-grounding conductor can result in a risk of electrical shock. Check with a qualified electrician or service person if you are in doubt as to whether the outlet is properly grounded. Do not modify the plug provided with this appliance. If it will not fit the outlet, have a proper outlet installed by a qualified electrician.

This appliance is for use on a nominal 220-volt circuit, and has a grounding plug similar to the plug illustrated in Figure 1 below.



ASSEMBLY & OPERATION INSTRUCTIONS

PREPARE THE MACHINE FOR OPERATION (SETTING UP)

The 1500 DC-1 machine is packed in two separate boxes. The machine is in box 1 of 2, and the handle is in carton 2 of 2. Unpack the machine and handle carefully. Insert the handle into the handle adaptor socket and tighten the two square head screws to hold the handle firmly in place. **DO NOT OVERTIGHTEN**

SCREWS. Damage could occur to the handle adaptor threads and will cause the handle to be loose and unsafe. Connect the male motor lead from motor to the female handle lead from handle.

PAD INSTALLATION:

WARNING: Make sure the power cord is disconnected from the electrical outlet before installing or removing the pads from machine.

- 1.) The proper diameter pad is 20" although 21" can be used, but greater care must be used not to hit walls, baseboards or furniture.
- 2.) Unwrap the power cord from handle. Do not plug cord into wall outlet. Lock the handle in the upright position. Tilt the machine back on the wheels and handle so that the machine is resting on handle and the bottom of machine is up in the air. Remove pad centering ring and install pad over the pad holder. Install pad centering ring.
- 3.) Lower the machine carefully to the floor with the handle still in the vertical position.
- 4.) To remove pad, unwrap the power cord from handle. Do not plug cord into wall outlet. Lock the handle in the upright position. Tilt the machine back on the wheels and handle so that the machine is resting on handle and the bottom of machine is up in the air. Remove pad centering ring. Remove pad and replace pad centering ring.

HOW TO OPERATE MACHINE

- 1.) Unwrap the power cord. Do not plug in yet.
- 2.) Install the pad.
- 3.) Lower handle by pressing foot release first. Handle will now float up or down until it rests on the stop at base of machine. Slightly press down on the handle to relieve floor pressure. Press the momentary safety switch at the right or left side of handle. While walking forward slowly lower machine to the floor to start burnishing.
- 4.) Plug in cord into a properly grounded outlet.
- 5.) Place both hands on the handle grips with your fingers around the on/off levers which extends from one side to the other side underneath the hand grips.

WARNING!

Be prepared to control the machine as soon as the motor starts.

MANEUVERING & STORAGE INSTRUCTIONS

HOW TO MANEUVER YOUR FLOOR MACHINE:

- 1.) **Raise handle slightly and the machine will go to the right. The higher you raise it, the faster it will go to the right.**
- 2.) **Lower the handle and the machine will go to the left. The more you lower it, the faster it will go to the left.**
- 3.) **Note: Always practice in a wide open area on a smooth surface until you gain a comfortable experience in operating the machine.**

AFTER USE

- 1.) **Unplug the power cord from wall outlet.**
- 2.) **Remove the pad driver.**
- 3.) **Remove the pad from pad driver.**
- 4.) **Flip the wheels down and place handle in the upright position.**
- 5.) **Clean the power cord if needed and inspect it for cuts, gashes and loose prongs. Perform any required maintenance or repairs before storage.**
- 6.) **Wrap the power cord around the handle bar and cable hook.**
- 7.) **Wipe the entire machine with a clean, damp cloth. Wipe the underside of the apron housing after wet use.**
- 8.) **Store the machine in a clean, dry place.**

LIVRAISON ET CONSIGNES DE SÉCURITÉ

LORSQUE LA MACHINE EST REMIS

Vous êtes responsable de l'inspection de la commande dès réception . General Floorcraft n'est pas responsable des dommages si vous avez signé pour les marchandises et de ne pas noter les dommages sur le bon de livraison . Notez tout dommage visible sur accusé de réception immédiatement . Inspecter l'expédition immédiatement pour s'assurer qu'il n'y a aucun dégât de fret clandestin . Si un tel dommage est découvert, déposer un «rapport de dommages cachés " immédiatement auprès du transporteur. Inspecter l'expédition immédiatement pour s'assurer qu'il n'ya pas de pénurie . Prévenez partie responsable, transporteur et le général Floorcraft immédiatement . Soyez sûr de garder le carton, calages, les listes et la date de réception du transporteur jusqu'à ce que l'inspecteur a vérifié votre demande.

AVANT D'UTILISER LA MACHINE

Lisez le manuel attentivement et complètement avant de tenter de faire fonctionner la machine . Remplissez le formulaire d'inscription du produit et de la garantie et fax ou par courrier à l'adresse ci-dessous. Ce manuel contient des informations importantes pour l'utilisation et l'exploitation sûre de la machine . Conservez ce manuel à portée de main en tout temps et en lieu sûr . En suivant ce manuel de votre machine vous assurera de nombreuses années d'utilisation sans problème. Toujours faire fonctionner et entretenir votre machine selon les recommandations de ce manuel . Toutes les informations et les spécifications imprimé dans le manuel et la liste des pièces sont à jour au moment de l'impression : cependant , en raison de la politique du général Floorcraft de développement continu des produits , nous nous réservons le droit de modifier à tout moment sans préavis. Si aucune information supplémentaire n'est nécessaire , s'il vous plaît contactez votre distributeur local ou contactez-nous au :

General Floorcraft
6312 NW 99th Avenue
Doral, FL 33178, U.S.A.
Téléphone: 305-477-1557 / Télécopieur: 305-477-1557

CONSIGNES DE SÉCURITÉ IMPORTANTES

Cette machine est uniquement conçu pour un usage commercial , par exemple les centres commerciaux , maisons de retraite , écoles, hôtels , casinos , hôpitaux , usines, magasins et bureaux autres que des fins d'entretien ménager résidentiel normal .

Lorsque vous utilisez un appareil électrique, des précautions de base devraient toujours être respectées, y compris ce qui suit:

ATTENTION!

Pour réduire le risque d'incendie , de choc électrique ou de blessure:

Ne laissez pas l'appareil quand il est branché, débranchez l' appareil de la prise lorsqu'il n'est pas utilisé et avant l'entretien et lors du changement des tampons .

Pour éviter un choc électrique, ne pas exposer à la pluie . Entreposer à l'intérieur .

Ne pas contourner ou défaire la sécurité "levier lock-out ".

CONSIGNES DE SÉCURITÉ

ATTENTION!

Pour réduire le risque d'incendie , de choc électrique ou de blessure:

Ne pas permettre que soit utilisé comme un jouet. Une attention particulière est nécessaire lorsqu'il est utilisé par ou près des enfants .

Ne manipulez pas la fiche ou l'appareil avec les mains mouillées .

Ne pas débrancher en tirant sur le cordon . Pour débrancher, saisir la fiche et non le cordon.

Ne pas utiliser si le cordon ou la fiche est endommagé . Si l'appareil ne fonctionne pas comme il se doit , a été endommagé, laissé à l'extérieur ou s'il est tombé dans l'eau, le retourner à un centre de service agréé.

Ne pas tirer ou transporter par le cordon , utiliser le cordon comme une poignée, fermer une porte sur le cordon ou tirer le cordon autour des arêtes vives ou des coins. Ne pas faire rouler l'appareil sur le cordon. Garder le cordon loin des surfaces chauffées.

La machine a été conçue pour l'utilisation selon les instructions et les recommandations écrites dans ce manuel. Tout écart par rapport à sa bonne utilisation ou le but et les dommages indirects qui pourraient survenir est de la seule responsabilité de l'utilisateur final .

Utilisez uniquement les accessoires recommandés par le fabricant.

Ne placez pas d' objet dans les ouvertures. Ne pas utiliser avec des ouvertures sont bloquées ; garder exempt de poussière , les peluches , les cheveux et tout ce qui pourrait réduire le débit d'air .

Garder les cheveux , les vêtements amples , les doigts et toutes les parties du corps loin des ouvertures et des pièces mobiles.

Ne pas utiliser la machine dans des zones inflammables ou explosifs.

Éteindre toutes les commandes avant de débrancher.

Lors de l'entretien , utilisez le remplacement des pièces par le fabricant. Tout service doit être effectuée uniquement par des centres de service autorisés Floorcraft générales .

Redoubler de prudence lors du nettoyage des escaliers .

Ne pas plonger ou utiliser cet appareil dans l'eau stagnante . Une telle utilisation peut provoquer un choc électrique .

Gardez le cordon d' alimentation électrique de contacter la brosse rotative ou bloc d'entraînement .

Lorsque vous utilisez une rallonge , utilisez seulement un cordon de mise à la terre à 3 conducteurs , fils de calibre 12 ou plus lourd .

Connectez-vous à une prise correctement mise à la terre . Voir « Mise à la terre " .

Assurez-vous que l'appareil est branché sur une prise électrique avec la même tension et la fréquence , comme indiqué sur la plaque signalétique de la machine. Ne tentez pas de brancher une machine de 115 volts dans une prise de 230 volts .

SÉCURITÉ ET INSTRUCTIONS DE MISE

ATTENTION!

NE PAS utiliser de rallonges de plus de 50 pieds (15 m) de long.

Remplacez le cordon si la broche de terre est endommagé ou cassé.

NON-RESPECT DES CONSIGNES DE GARDE ci-dessus **ANNULE LA GARANTIE.**

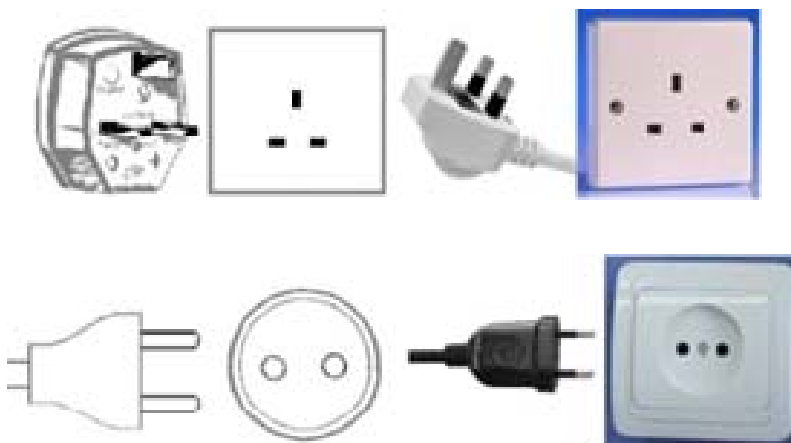
INSTRUCTIONS DE MISE

Cet appareil doit être mis à la terre. Si elle défaillance électrique, la terre fournit un chemin de moindre résistance pour le courant électrique afin de réduire le risque de choc électrique. Cet appareil est équipé d'un cordon muni d'un conducteur de terre avec prise de terre. La fiche doit être branchée dans une prise appropriée qui est bien installée et mise à la terre avec tous les codes et règlements locaux.

DANGER!

Une mauvaise connexion du conducteur de terre peut entraîner un risque de choc électrique. Consultez un électricien qualifié ou une personne de service si vous avez des doutes quant à savoir si la prise est correctement mise à la terre. Ne pas modifier la fiche fournie avec cet appareil. Si elle n'entre pas dans la prise, faites installer une prise adéquate par un électricien qualifié.

Cet appareil doit être utilisé sur un circuit nominal de 220 volts et a une fiche de terre qui ressemble à celle illustrée à la figure 1 ci-dessous.



MONTAGE ET MODE D'EMPLOI

PRÉPARATION DE LA MACHINE POUR LE FONCTIONNEMENT (mise en place)

Le 1500 DC-1 Machine est emballé dans deux boîtes séparées. La machine est en zone 1 de 2, et la poignée est en carton 2 de 2. Déballez la machine et manipuler avec précaution. Insérez la poignée dans la prise de l'adaptateur de poignée et serrez les deux vis à tête carrée de tenir fermement la poignée en place. **NE PAS TROP SERRER LES VIS.** Ceci risque d'endommager les filets de l'adaptateur de poignée et provoquer la poignée pour être lâche et dangereux. Connectez le rôle masculin principal moteur de moteur à la poignée féminin principal de la poignée.

INSTALLATION:

AVERTISSEMENT: Assurez-vous que le cordon d'alimentation est débranché de la prise électrique avant d'installer ou de retirer la brosse, pilote du pavé ou des tampons de machine.

1.) Le tampon approprié de diamètre est de 20 ", bien que 21" peuvent être utilisés, mais le plus grand soin doit être utilisé de ne pas frapper les murs, les plinthes ou des meubles.

2.) Déroulez le cordon d'alimentation de la poignée. Ne pas brancher le cordon dans la prise murale. Verrouiller la poignée dans la position verticale. Incliner la machine en arrière sur les roues et la poignée de sorte que la machine repose sur la poignée et la partie inférieure de la machine est en l'air. Retirer la bague de centrage des plaquettes et installer tampon sur le support de patin. Installez l'anneau de centrage de tampon.

3.) Abaisser soigneusement la machine au sol avec la poignée toujours en position verticale.

4.) Pour supprimer pad, déballez le cordon d'alimentation de la poignée. Ne pas brancher le cordon dans la prise murale. Verrouiller la poignée dans la position verticale. Incliner la machine en arrière sur les roues et la poignée de sorte que la machine repose sur la poignée et la partie inférieure de la machine est en l'air. Retirer la bague de centrage des plaquettes. Retirer le disque et le remplacer bague de centrage des plaquettes.

COMMENT FAIRE FONCTIONNER LA MACHINE

1.) Déroulez le cordon d'alimentation. Ne branchez pas encore.

2.) Installez le tapis.

3.) Abaisser la poignée en appuyant d'abord le pied de presse. Poignée maintenant flotter vers le haut ou vers le bas jusqu'à ce qu'elle repose sur la butée à la base de la machine. Appuyez légèrement sur la poignée pour relâcher la pression au sol. Appuyez sur l'interrupteur de sécurité momentanée au côté droit ou gauche de la poignée. Tout en marchant en avant la machine descendre lentement au sol pour commencer à brunir.

4.) Branchez le cordon dans une prise de terre.

5.) Placez les deux mains sur les poignées avec vos doigts autour des leviers de marche / arrêt qui s'étend d'un côté à l'autre côté sous les poignées.

ATTENTION! Soyez prêt à contrôler la machine dès que le moteur démarre .

7.) Poussez délicatement les pattes de verrouillage de sécurité situés de chaque côté de l'armoire et de compresser ON / OFF leviers pour démarrer la machine. Note: Lorsque les leviers de commutation sont libérés, la machine s'arrête immédiatement .

MANOEUVRER & STOCKAGE INSTRUCTIONS

COMMENT MANOEUVRER VOTRE MACHINE ETAGE:

- 1.) Soulever légèrement la poignée et la machine ira vers la droite. Lorsque vous élevez, plus vite il ira vers la droite.
- 2.) Abaissez la poignée et la machine ira vers la gauche. Le plus vous baissez, plus vite il ira vers la gauche.
- 3) Note: Toujours pratique dans un large espace ouvert sur une surface lisse jusqu'à ce que vous gagnez une expérience confortable à utiliser la machine.

APRÈS UTILISATION

- 1.) Débranchez le cordon d'alimentation de la prise murale.
- 2.) Retirez un tampon conducteur.
- 3.) Retirez le tampon de pilote de la tablette.
- 4.) Retournez les roues et placez la poignée en position verticale.
- 5.) Nettoyer le cordon d'alimentation si nécessaire et inspecter des coupures, des entailles et des griffes molles. Assurer l'entretien requis ou réparations avant le stockage.
- 6.) Envelopper le cordon d'alimentation autour de la barre de poignée et le crochet de câble.
- 7.) Essuyez l'ensemble de la machine avec un chiffon propre et humide. Essuyer la face inférieure du boîtier de tablier après utilisation humide.
- 8.) Entreposer la machine dans un endroit propre et sec.



GENERAL FLOORCRAFT LIMITED WARRANTY

General Floorcraft warrants new machines against defects in material and workmanship for the periods as indicated, when operated and maintained as instructed in the Operator's Manual.

1. Replacement motors and other service parts for out of warranty machines are warranted for ninety (90) days.
2. KC, KCD, and MBL17 series floor machines carry FIVE (5) year motor and gearbox warranty.
3. GF, GFD series floor machines carry a ONE (1) year motor and gearbox warranty.
4. GVS and DC series floor machines carry TWO (2) year powertrain warranty.
5. G-400, G-800, G-2400 Wet/Dry Vacuums carry ONE (1) year warranty.
6. AM-900 Air Mover carries ONE (1) year warranty.

All other components, except as noted, carry a ONE (1) year warranty. Parts and labor are covered in accordance with our flat rate schedule.

The obligation under this warranty is limited to the original purchaser and to the replacement or repair of said product (Warranty Form must be properly filled out and sent in within 10 days of receipt of equipment). This replacement or repair shall only be performed by General Floorcraft recommended distributor. All machines and/or parts must be returned prepaid to the factory for inspection to obtain this warranty. All shipping charges for replacement parts or repaired machines will be the responsibility of the product owner.

The General Floorcraft factory reserves the right for final determination of warranty coverage.

The warranty starts with the invoice date to the original purchaser, if no invoice can be provided then General Floorcraft uses the date of the serial number.

This warranty will not apply under the following circumstances: 1. Damage incurred DURING SHIPMENT; 2. Improper use of the product; 3. Use of the product for other than it's intended purpose; 4. Replacement of ordinary wear items such as bumpers, belts, carbon brushes, commentators, filter bags, hoses, wheels, gaskets, seals, cords, circuit breakers, switches, couplings, switch levers, plugs, bent handles, speed controls, relays, rectifiers, vacuum bags, handle lock assemblies, latches, squeegees, dust brushes, hose cuffs; 5. Repair or replacement performed by an organization other than General Floorcraft recommended distributor; 6. Failure to notify General Floorcraft factory prior to commencing repairs.

Except as herein set forth, General Floorcraft shall not under any circumstances, be responsible for any direct, indirect, incidental or consequential damages including, but not limited to, damage to the equipment, travel time, or rental of replacement equipment.

If a problem with General Floorcraft equipment develops during the warranty period, first contact General Floorcraft directly, write to **6312 NW 99TH AVE. DORAL, FL 33178. TEL: 305-477-1557. FAX: 305-477-1558. Email: info@genfloor.com**



Product & Warranty Registration Form

Thank you for registering your General Floorcraft Equipment. As a registered user, you will receive free technical support, special offers and new product information. By returning this form, we can also confirm the date of purchase of your equipment for your warranty from the date of purchase. Please attach a copy of your invoice with the serial number(s) on it as proof of purchase. This confirmation is of benefit to you, especially if your original proof of purchase is lost. We will keep this information on file, and your purchase can be verified in the event your product is stolen or damaged for insurance purposes.

(Please fill out completely)

Product: Equipment Type: _____

Serial Number: _____ Date of Purchase: _____

Customer

Name: _____ Title: _____

Company Name: _____

Address: _____

City: _____ State: _____ Zip: _____

Phone: (_____) _____ Fax: (_____) _____

E-Mail: _____

Distributor

Name: _____ Title: _____

Company Name: _____

Address: _____

City: _____ State: _____ Zip: _____

Phone: (_____) _____ Fax: (_____) _____

E-Mail: _____

Please return to GenFloor within 10 days of receipt of equipment to ensure proper warranty.

RETURN THIS FORM WITH COPY OF INVOICE TO:

Fax to: (305) 477-1558 or Mail to: GenFloor, LLC., 6312 NW 99th Ave., Doral FL 33178

